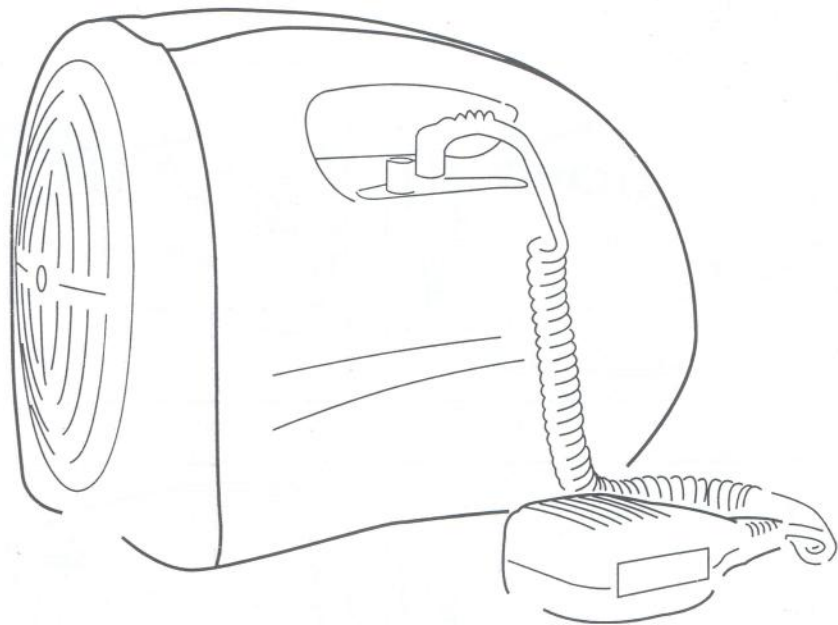


P.A. Genie



User Manual

Thank you for choosing P.A. Genie Megaphone. Please read carefully the User Manual of P.A. Genie before use, to have better understanding of the correct operation and to obtain the best use performance.

P.A. Genie megaphone is ergonomically designs with stylish appearance and delicate quality, and based on the demands of modern life designs both in-door and out-door use of portable megaphone.

P.A. Genie is not only suitable for indoor use, such as: school teaching, company meeting, but also suitable for outdoor use, such as: touring, outdoor activities, emergency rescues. P.A. Genie can be alternately used by converting the rechargeable battery and dry. cell batteries, and it is highy with multi-functions for all kinds of diversitive usage.

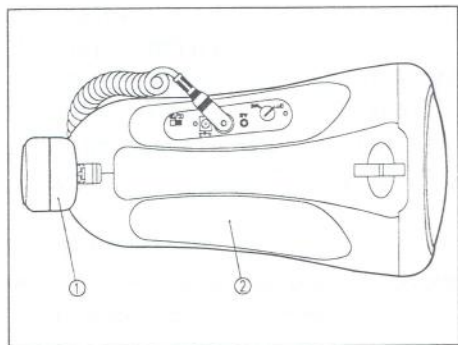


Fig.1

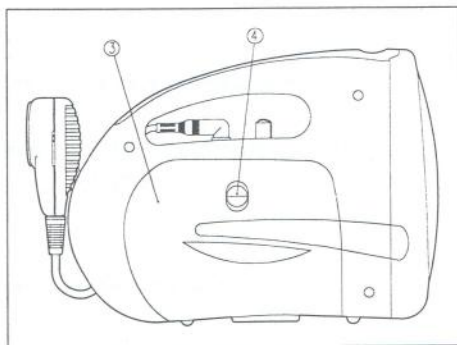


Fig.2

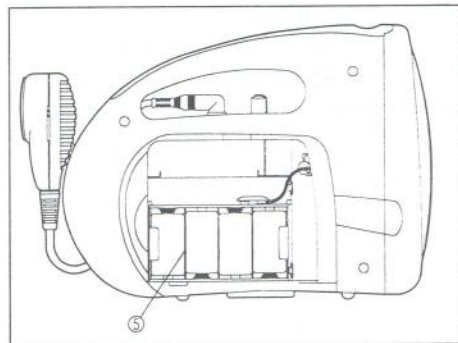


Fig.3

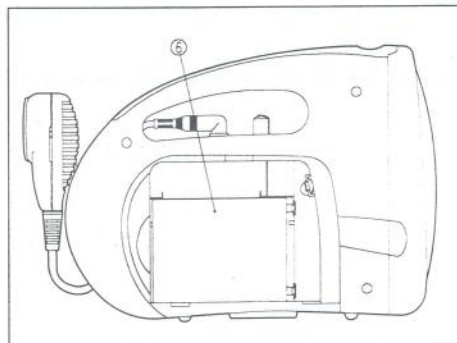


Fig.4

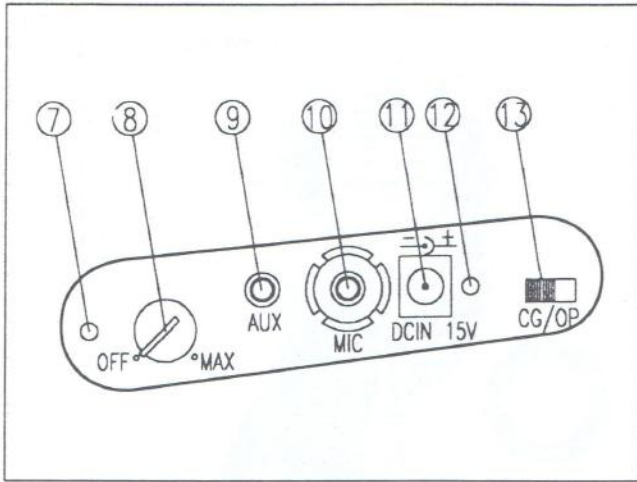


Fig.5

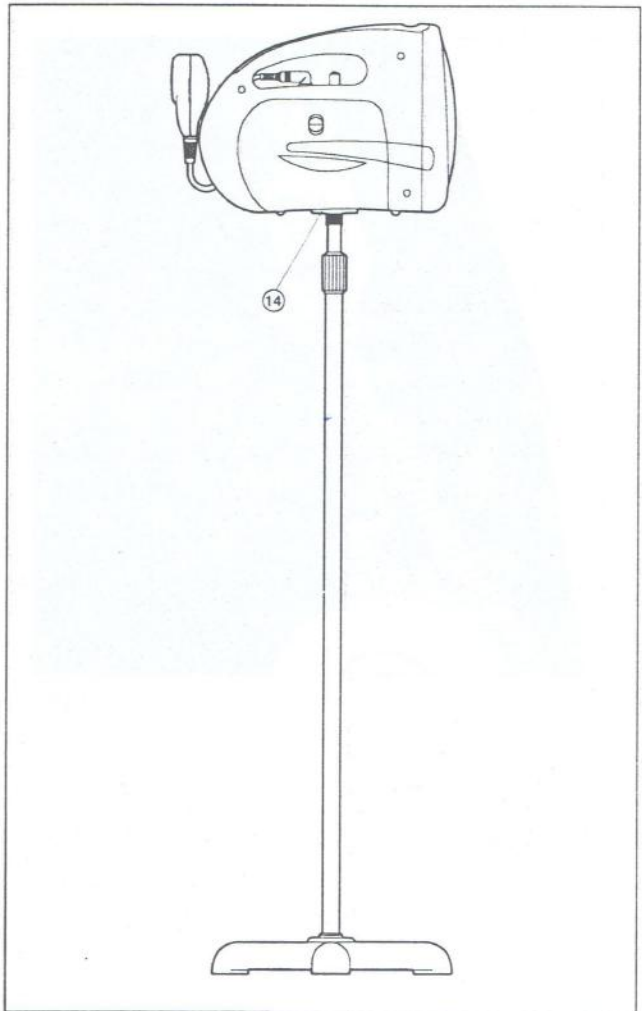


Fig.6

The P.A. Genie are included type of

1. SPECIFICATION

No.	Parts Names		
1	P.A. system unit with shoulder strap & CB microphone	✓	✓
2	SUM-2 compartment	✓	✓
3	12V lead-acid battery		
4	15V adaptore	✓	✓
5	User Manual	✓	✓

2. DESCRIPTION

- (1) CB MIC. CDM-362 : uni-directional dynamic microphone
- (2) THE UNIT : including a amplifier and a loudspeaker
- (3) BATTERY COVER : open the lid for exchangeing new batteries
- (4) PULLER : pull down for opening the battery cover
- (5) BATTERY COMPARTMENT : containing of SUM-2 battery x 8pcs
- (6) 12V LEAD-ACID BATTERY : 2.7Ah, rechargeable
- (7) INDICATOR : RED & GREEN LED for showing different operating status
- (8) POWER SWITCH & VOLUME CONTROLLER : switch ON/OFF & volume adjusting
- (9) ACOUSTIC JACK : ϕ 3.5 earphone jack, for connecting auxiliary equipment
- (10) MIC JACK : ϕ 3.5 earphone jack, for connecting mic of CDM-362, or others dynamic mic.
- (11) AC JACK : connect the power supplier
- (12) CHARGING INDICATOR : indicating the charging operation
- (13) RECHARGE/OPERATION SWITCH : for choosing in recharging mode or operation mode
- (14) HOLDER : to fix on a 5/8"-27 threaded microphone stand

3. OPERATION INSTRUCTION

- 3.1 POWER SOURCES : 2-option, use SUM-2 battery x 8pcs, or AC power source. The additional option of use 12V Lead-aid battery
 - 3.1.1 BATTERY LOADING : Installing the batteries as per the polarity instruction and getting connected with battery button as shown on Fig.3 then close the battery lid.
 - 3.1.2 POWER SUPPLIER : To ensure carefully if the power supply is met local voltage, after the check, to connect the input end of power supplier with AC socket, and output end to be connected with the socket on the P.A. unit.
 - 3.1.3 RECHARGING : As shown on Fig. 4, to load the rechargeable battery into the P.A.unit, make sure the red point is downward, the black point is upward.
 - 3.1.4 REMARKS : The power will be gone off gradually. However for the regular dry batteries you are pleased to follow up the step of 3.1.1. For the rechargeable battery you are pleased to follow up the step of 3.5
- 3.2 START THE P.A. GENIE
 - 3.2.1 Select the power source from above mentioned.
 - 3.2.2 Move RECHARGE/ OPERATION switch to the Op position.
 - 3.2.3 Plug the mic CDM-362 into the mic jack on the P.A. unit.
 - 3.2.4 A red flush will be on for a short time while the unit is started. It shows the unit is working properly, then please adjust the volume to desire level.

3.2.5 Press the SWITCHING BAR of CDM-362 CB mic to start and the green led will be on. A additional slide volume controller on the CB mic as well.

3.2.6 Always control the volume in moderate level and keep a certain distance between the CB mic and unit speaker to avoid feedback and unwanted noise.

3.2.7 In order to get better performance, take the CB microphone as close as possible to your mouth and hold it as shown in Fig 7.

3.2.8 Put the CB mic back as shown on Fig.2 or Fig.8 while not using.

3.3 CONNECT THE AUXILIARY EQUIPMENT

Connect the equipment (such as: CD player, recorder, etc, with AUX jack which is on the P.A.unit.

Make sure the output end must be $\phi 3.5$ earphone jack (either stereo or mono is available), adjust the volume, the green LED will be on while the unit is in operation.

3.4 FIX THE STAND

3.4.1 Make sure the thread of your stand is $5/8" \times 27$. It is the required size to screw with the P.A. unit.

3.4.2 Fix the stand as shown on Fig.6.

3.5 RECHARGE THE LEAD-ACID BATTERY

3.5.1 Make sure the lead-acid battery is installed into the precisely position. Refer to the step of 3.1.2 for connecting the power supplier.

3.5.2 Move the RECHARGE/OPERATION SWITCH to the Cg position, the charging indicator will be on. A fully energy recharging needs 4-hour.

3.5.3 When the charging is completed the indicator LED will go out, and the charger will be switched off automatically.

3.5.4 Restart the unit, please move the RECHARGE/MEGAPHONE SWITCH to the Op position, and repeat the above mentioned steps.

4. TROUBLE SHOOTING

4.1 MIC IS MUTE

4.1.1 Check the power cord is connected, RECHARGER/MEGAPHONE SWITCH is on the Op position.

4.1.2 Check mic plug and jack are connected tightly.

4.1.3 Check the mic you are using is dynamic mic. The unit is not compatible with condenser mic.

4.2 CHARGING INDICATOR IS WENT OUT

4.2.1 Check the power supplier has been connected, RECHARGER/MEGAPHONE SWITCH is on the Cg position.

4.2.2 Check the lead-acid battery's connector and unit's battery chip are connected tightly.

5. SPECIFICATION

5.1 THE UNIT

RATED OUTPUT POWER : 10W (4 Ω , THD= 10%)

POWER CONSUMPTION	: 20W (in using)	10W (in charging)
Av	: MIC 68dB	AUX 36dB
CHARGING CURRENT	: 0.6A	
DIMENSION	: L x W x H = 284 x 157 x 211(mm)	
WEIGHT	: 1.7kgs (WITHOUT BATTERY)	

5.2 THE MICROPHONE

ITEM NO.	: CDM-362 uni-direction dynamic microphone	
FREQUENCY RESPONSE	: 400 ~ 10KHz	
IMPEDANCE ,	: $26\Omega \pm 30\%$	
SENSITIVITY	: $-86 \pm 3dB$ (SPL=74dB 0dB=1v/ μ Bar 1KHz in open circuit)	
CABLE	: $\phi 4.5 \times 260mm \times \phi 3.5$ mono-plug	
DIMENSION	: L x w x h = 60 x 42 x 90 (mm)	
WEIGHT	: 150g	

5.3 POWER SUPPLIER

INPUT POWER	: a. 120V AC/60Hz 20W	b. 230V AC/50Hz 20W
OUTPUT POWER	: DC 15V/1A	
DIMENSION	: a. 81.5 x 55.5 x 49(mm)	b. 85 x 68 x 55(mm)
WEIGHT	: a. 610g	b. 620g

6. ATTENTION

- 6.1 Keep away from rain, water or the moisture places to avoid any damages caused.
- 6.2 Avoid any external forces or impact.
- 6.3 Do not use it in high-temperature environment.
- 6.4 Do not connect with others different spec. power suppliers in order to avoid causing unwanted damages.
- 6.5 Keep a certain distance from the electric equipment which has CRT such as: TV set, computer screen, ... etc, to avoid any interference happened.
- 6.6 If the unit is not using for long period, please make sure the power supplier and AC jack are disconnected and the dry batteries or lead-acid batteries are moved out.

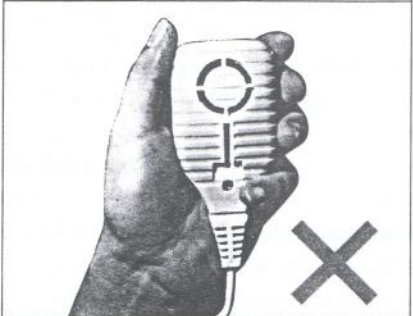
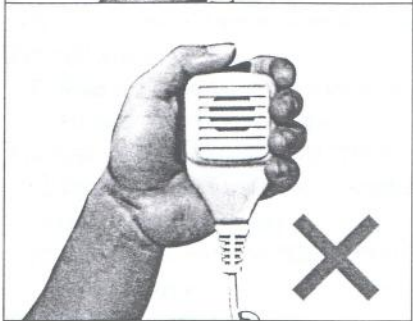


Fig.7

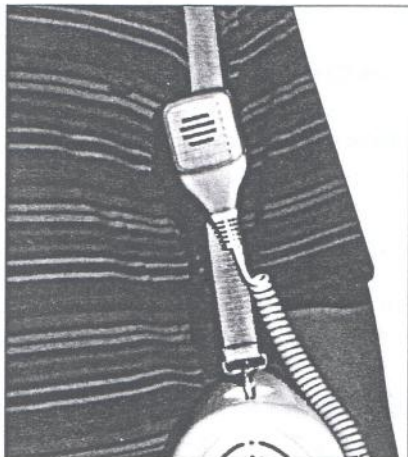


Fig.8